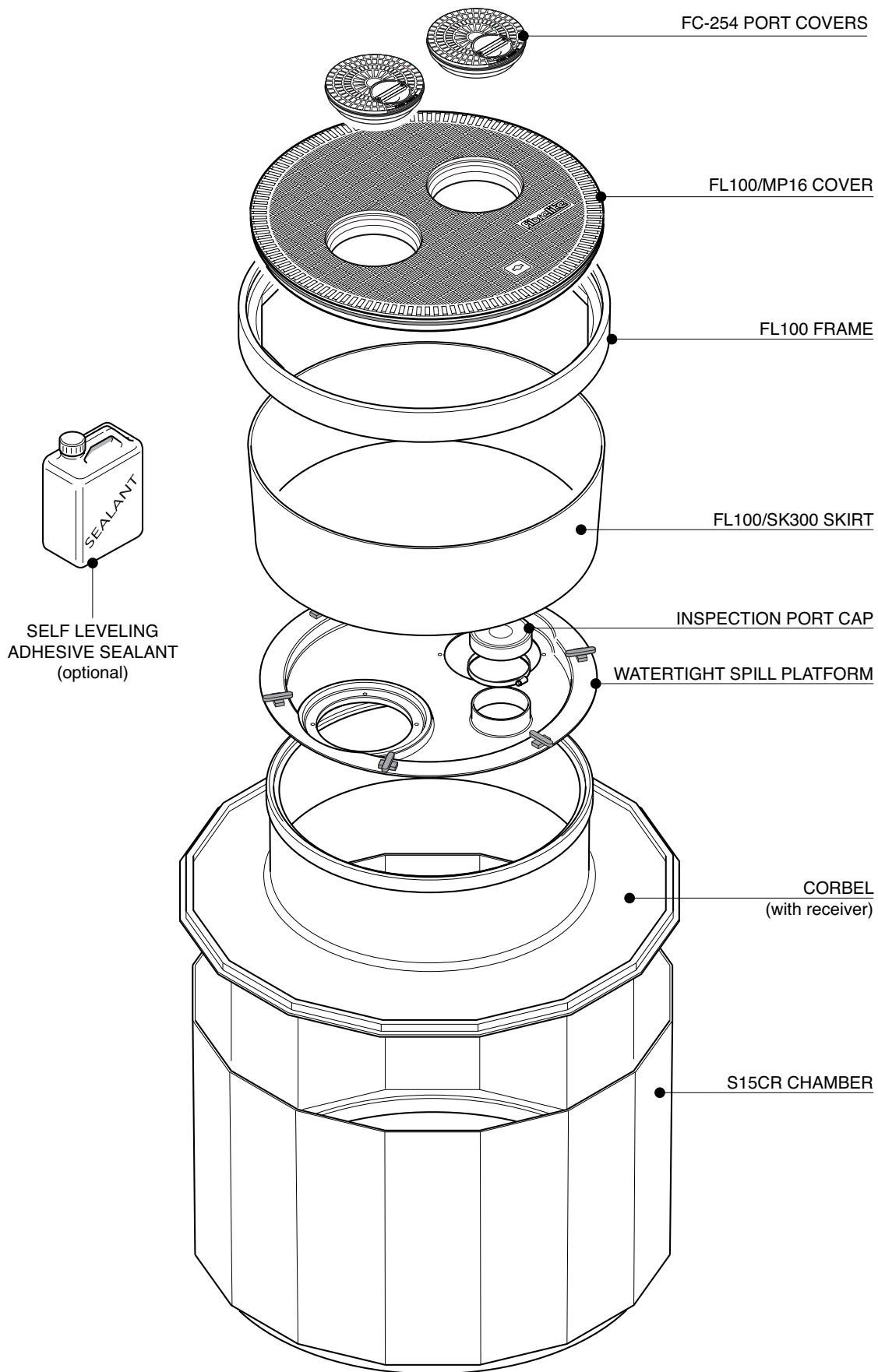


1.45m diameter sump with collar ring, corbel, adjustable height skirt, watertight spill platform to fit OPW spill buckets, including inspection port and round 1020mm flat sealed cover and frame with 2 removable multiport fill covers.

For reference purposes only. This drawing is not a specification. Order against product code only. To enable continuous improvement of our products, the designs and specifications are subject to change without notice.

FIBRELITE 
PART OF OPW A DOVER COMPANY



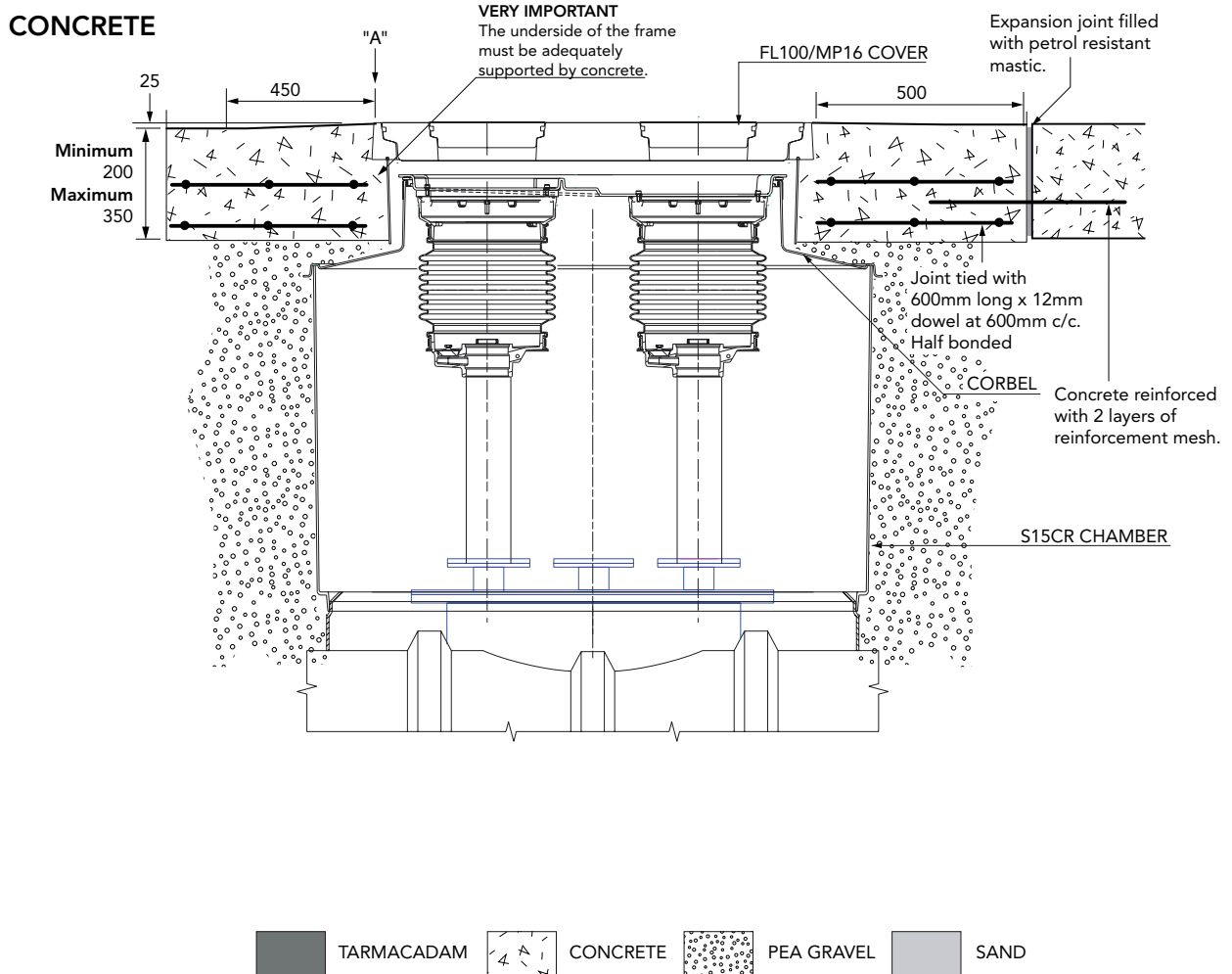
1.45m diameter sump with collar ring, corbel, adjustable height skirt, watertight spill platform to fit OPW spill buckets, including inspection port and round 1020mm flat sealed cover and frame with 2 removable multiport fill covers.

For reference purposes only. This drawing is not a specification. Order against product code only. To enable continuous improvement of our products, the designs and specifications are subject to change without notice.

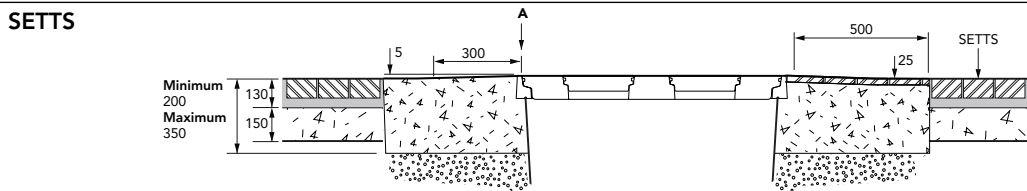
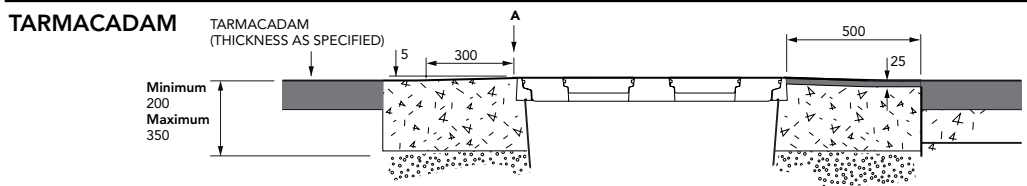
FIBRELITE 
PART OF OPW A  COMPANY

VERY IMPORTANT
 OUTER EDGE "A" OF FRAME SET 25MM
 ABOVE GENERAL FORECOURT AREA WITH
 CONCRETE RAMPED AWAY OVER 450MM."

TYPICAL INSTALLATION



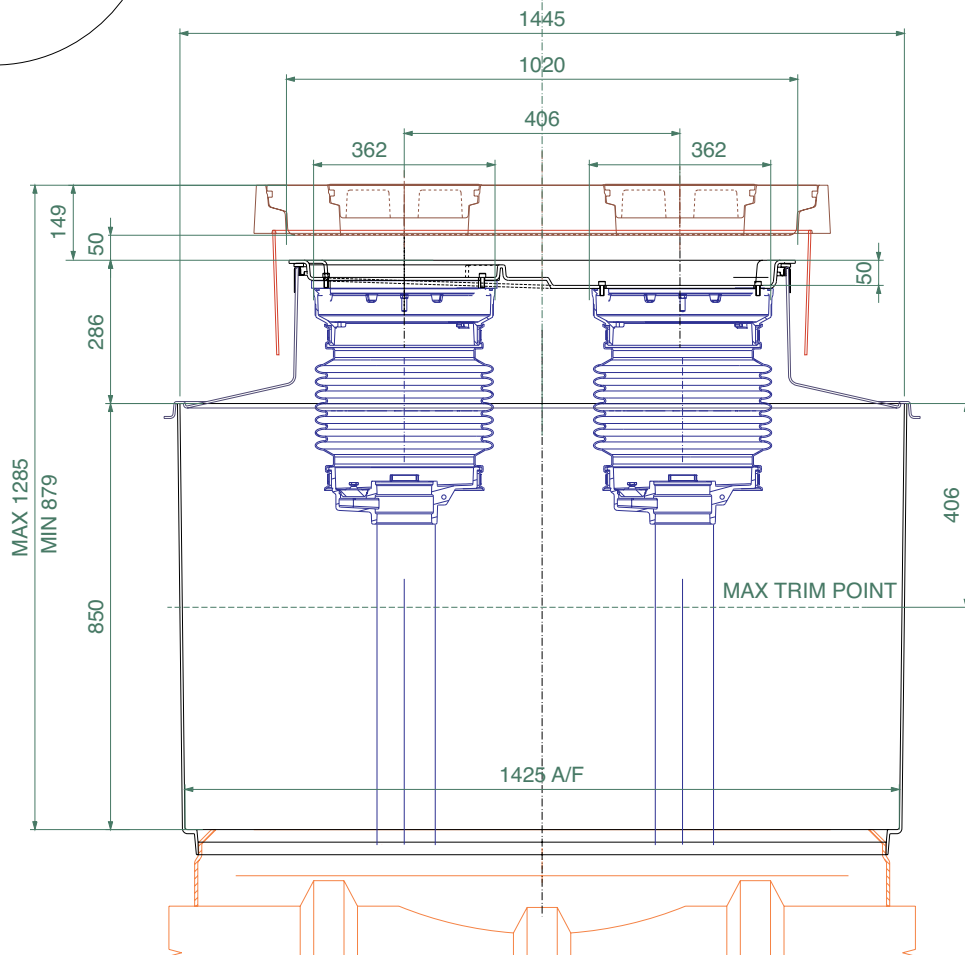
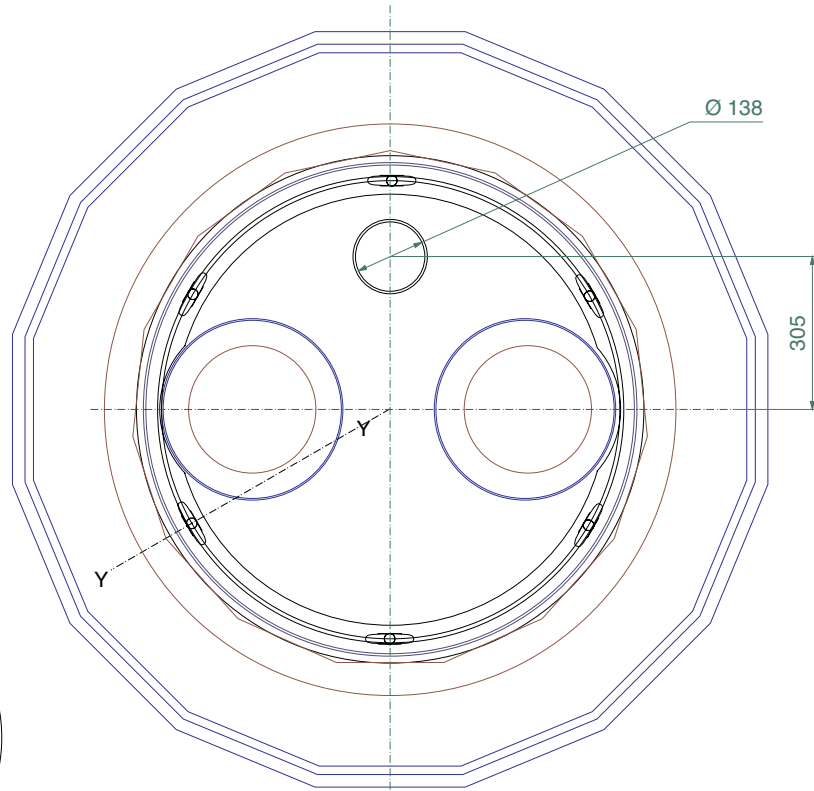
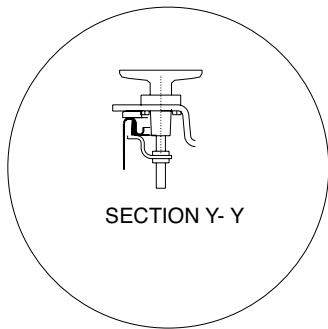
ALTERNATIVE INSTALLATION ADVICE



1.45m diameter sump with collar ring, corbel, adjustable height skirt, watertight spill platform to fit OPW spill buckets, including inspection port and round 1020mm flat sealed cover and frame with 2 removable multiport fill covers.

For reference purposes only. This drawing is not a specification. Order against product code only. To enable continuous improvement of our products, the designs and specifications are subject to change without notice.





1.45m diameter sump with collar ring, corbel, adjustable height skirt, watertight spill platform to fit OPW spill buckets, including inspection port and round 1020mm flat sealed cover and frame with 2 removable multiport fill covers.

For reference purposes only. This drawing is not a specification. Order against product code only. To enable continuous improvement of our products, the designs and specifications are subject to change without notice.

FIBRELITE 
PART OF OPW A DOVER COMPANY